



INTEPLAST GROUP[®]
Building Products

Inteplast[®] PVC Deck / Porch Installation and Care Guide



Inteplast® PVC Deck Installation and Care Guide

Thank you for choosing Inteplast Decking to enhance your outdoor space!

Read this before you start!

Inteplast Decking provides the ultimate look of natural wood and may exhibit a slight variation of color and grain from board to board. This adds a unique appearance and will in no way affect the performance of the product. Unlike traditional wood, Inteplast Decking is splinter-free and resists rot, cracking, and damage from insects. Inteplast Decking provides the durability that encourages creativity for custom designs and curves formed by heat bending. Reversible with Teak and Cedar woodgrain finishes are offered and each board should be installed with the desired finish side up.

Local applicable building codes should be followed and the product should be installed with the same building principles used to install wood or composite decking. We recommend that a licensed architect, engineer, or local building official review designs before building. Inteplast Decking is not intended for use as columns, support posts, or beams and must be supported by a code-compliant substructure. Inteplast Building Products accepts no liability or responsibility for the improper installation of this product. Inteplast Decking may not be suitable for every application and it is the sole responsibility of the installer to determine if Inteplast Decking is fit for the intended use and project.

Need Help?

Access Resources 24/7

Product information and a variety of resources can be found at www.inteplastbuild.com

Call Customer Service

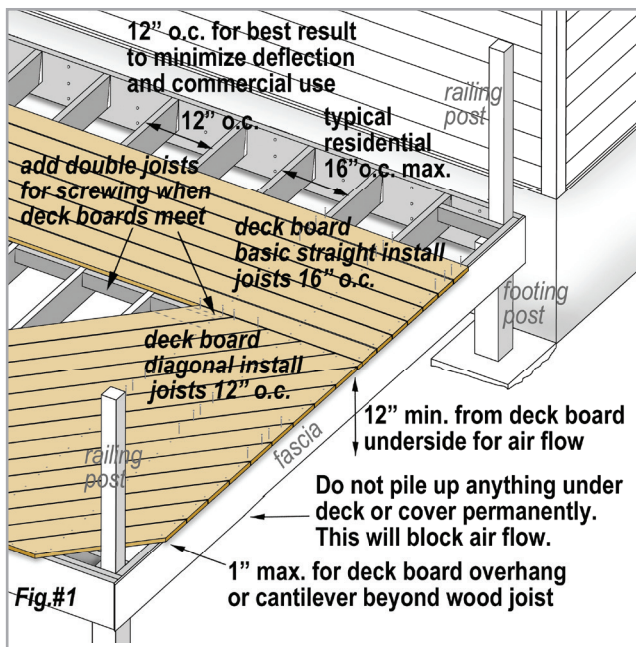
Our customer service team is here to help you with your questions at 1-800-521-4259

A. STORAGE AND HANDLING

1. Store deck boards on a flat, dry surface and in shaded area if possible. Always cover boards to maintain a clean surface with no debris and construction waste to prevent damage to the boards.
2. Always store deck boards under original factory covering or a light-colored tarp to minimize expansion and contraction.
3. Stack units with banding and bottom supports (32" maximum span) aligned.
4. DO NOT stack bundles over 8 units high.
5. DO NOT dump Inteplast Deck boards when unloading.
6. Secure opened units with plastic banding and corner protectors to prevent indenting deck board. DO NOT use steel banding.
7. DO NOT slide Inteplast Deck boards against each other when moving them.
8. DO NOT slide or drag tools and equipment across the top of the boards.
9. Carry the deck boards on edge (vertically) for better support and rigidity as they are more flexible than wood.
10. Keep the surface of the boards free of debris.
11. Use caution when using a forklift, as forks may damage the deck boards.

B. PLANNING AND PREPARATION

1. Inteplast PVC Decking is not meant to be used for structural applications, supports or beams.
2. Inteplast PVC Deck board should never be used for a supports or a component of railing systems.
3. Do not install Inteplast PVC Decking on top of the old deck board.
4. Inteplast Deck boards are dual-sided and are to be installed with the desired woodgrain side up.
5. Inteplast Deck should be designed to provide enough clearance underneath (12" min.) for proper air circulation. (see Fig.#1) Roof deck with sleeper joists are not recommend due to limited air circulation underneath.

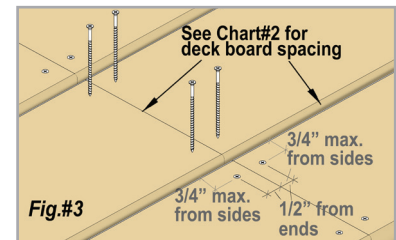
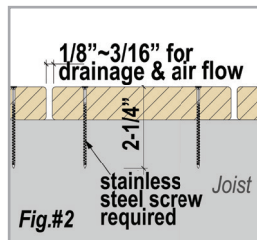


6. Either using a new joist structure or reuse an existing one, check that all joists are level, structurally sound, with no nails or screws protruding. Be sure all joists are level and crowned correctly. Inteplast Deck will conform to the contour of the substructure.
7. Proper joist spacing is required for proper installation. (see Chart#1 & Fig.#1)

8. For residential installation, Do NOT exceed 16" on center joist spacing when installing planks perpendicular to joists. For a more rigid feel, Inteplast Decking may be installed 12" on center. (see Fig.#1)
9. Do NOT exceed 12" on center when installing planks diagonal / herringbone pattern joists. Decrease joist spacing for deck designs with more severe angles.
10. Do NOT exceed 12" on center joist spacing for all commercial applications.
11. Use two screws for every joist. (see Fig.#1~3)
12. Maximum cantilevering distance is 1".(see Fig.#1)

CHART#1: Joist Spacing

	90° angle	45° angle	30° angle
100 PSF	16"	12"	12"



13. If deck boards are installed end-to-end, a double joist is required to fasten deck boards to joists. Fasten each deck board end to an individual joist.
14. For best results, installing wood blocking between each joist will help reduce movement or twisting of the joists and reduce excessive gapping of the deck planks.
15. Stagger miter or splices so not all are breaking on the same joist.
16. Like wood, minor color variation of the deck boards will occur (Our variegated options emulate exotic hardwoods). For optimal appearance, layout and view all deck boards before cutting or fastening. Place all tagged ends in the same direction.

C. RECOMMENDED TOOLS

Inteplast Deck installation is comparable to wood or composite decking and the tools for installation are similar, but Inteplast Deck boards should NEVER be nailed. Remember to wear safety glasses / goggles at all times!

- Circular saw capable of miter cuts with a fine-toothed carbide tipped finish trim blade is recommended: 7-1/4"Ø/50 tooth minimum; 10"Ø/70 tooth minimum; 12"Ø/84 tooth minimum

- Battery operated or corded/cordless variable speed drill, screwdriver is recommended.
- Carpenter Square
- Pencil
- Level
- Spacing Tools
- Tape Measure
- Work Gloves

D. EXPANSION AND CONTRACTION

1. Inteplast Deck, with changes in temperature, will experience expansion and contraction in length. Installing two screws per joist will minimize expansion and contraction from temperature change. Slight gaps may be allowed at the ends of boards or in spliced joints. (see CHART#2)

CHART#2: Board Spacing

Ambient Temperature	Butt Ends	Side to Side
Below 32° F	3/16" gap	1/8" - 3/16"
32° F - 75° F	1/8" gap	1/8" - 3/16"
Above 75° F	No gap	1/8" - 3/16"
Only when installing in temperatures below 32° F leave a 3/16" gap at butt joints or miter cuts.		

2. Approximate expansion and contraction for unattached deck boards based on 50° F temperature change: 12' = 3/16" ; 16' = 1/4" ; 20' = 5/16".
3. Provide proper ventilation to minimize expansion and contraction.
4. Fasten boards as soon after cutting as possible.
5. Fasten boards with two screws no more than 1/2" from the ends and 3/4" from the sides. (see Fig.#3)
6. Always leave a 1/4" gap between decking and any structure (wall or post).
7. Install boards together tightly at spliced joints and miters.

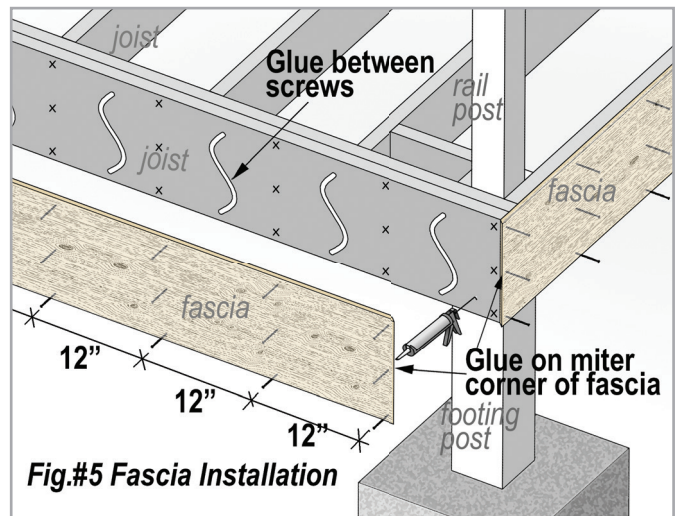


Fig.#5 Fascia Installation

8. Fasten ends of boards, splices, and abutments to building or securely to framing using two screws positioned within 1/2" from each board end or joint and 3/4" from each side. (see Fig.#3)
9. Stagger miters or splices so they do not all break on the same joist.
10. Inteplast Deck Fascia board must be fastened by using three 2-1/2" stainless steel screw evenly spaced at 12" on center. Screws should be installed 1-1/2" from the top and bottom edges, along with a screw in the center. Use a bead of construction adhesive between 12" O.C. (see Fig.#5)
11. For best results, pre-drill holes when installing decking at 40° F or below.

E. FASTENERS

Correct fasteners must be used to ensure the quality of installation. Use high quality fasteners that meet the following requirements:

1. Stainless steel screws are required.
2. #10 screw size minimum.
3. 2-1/4" length minimum.
4. Coastal applications near salt water require 316 stainless steel screws or better.
5. For CAMO®, HIDfast™, and other hidden fastening systems, fasten all ends with two face fastening screws 1/2" from the ends and 3/4" from the sides. Pro Plug and other color match screws available.
6. When installing Inteplast Deck with hidden fasteners, use a sacrificial board against the side of the deck board. Never strike the board directly with a hammer or rubber mallet.
7. Dock and pier installations may have special fastening specifications required by building codes. Check with local authorities before installation.
8. Always apply glue and screw at miter joints & picture frame border joints. This will prevent the potential for gaps. (see Fig.#4)

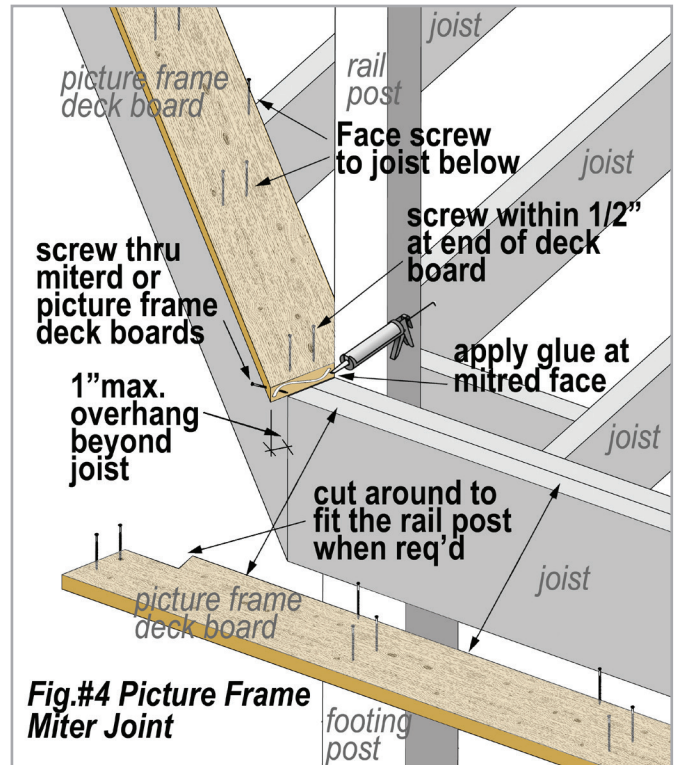


Fig.#4 Picture Frame Miter Joint

9. Cutting a continuous groove in the side of the board will void the warranty and is not recommended.

F. STAIR TREADS

1. Stairs should be built per local code requirements and proper support beneath the deck boards is required.
2. Install deck boards on stringers set no more than 12" O.C. For longer spans, additional wood supports are necessary. (see Fig.#6)
3. Provide 2x6 treated lumber under deck board treads for support. Fasten boards using two screws per stringer per board. (see Fig.#6)
4. Overhang should not exceed 1/2" beyond stringers.
5. Fascia can be ripped for riser boards.

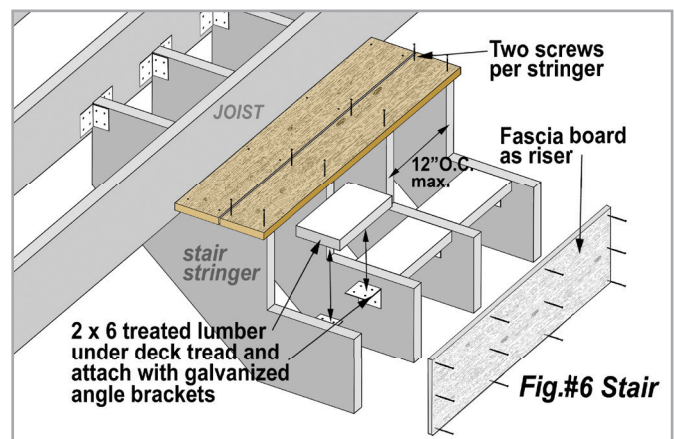


Fig.#6 Stair

G. CARE AND CLEANING

All exterior building materials must be maintained and require cleaning. Here are some recommended tips to use to keep your deck clean and looking its best.

1	RUBBER OR VINYL MATERIALS	NEVER use rubber or vinyl materials for an extended period of time as they may cause discoloration of the decking surface. Rubber/vinyl materials include: plastic planter, mats, tarps, hoses, pool covers, and inflatable pool floats.
2	SUNSCREEN, INSECT REPELLENT, OR SIMILAR PRODUCTS	Some chemicals in sunscreen, insect repellent, and similar products may alter the decking surface. Check product labels and consult the manufacturer for compatibility with plastics before use.
3	DIRT AND DEBRIS	Surface dirt and debris can be removed by being sprayed off with a hose or with warm soapy water and a soft bristle brush. Rinse area thoroughly with water after scrubbing.
4	MOLD AND MILDEW	The best way to combat mold and mildew on the surface is by maintaining a clean and dry surface with proper air flow. Keep gaps between boards clean and free of debris for drainage and airflow.
5	OIL, GREASE, AND FOOD	The deck surface will resist permanent staining throughout the warranty period from food and beverage items that may be spilled. The surface must be cleaned within seven days of exposure of the substances to the surface of the deck to maintain the 25-Year Fade & Stain Warranty.
6	RUST REMOVAL	A household toilet bowl cleaner is recommended.
7	SNOW AND ICE REMOVAL	Most products containing calcium chloride can be used without damage to the surface. These products may leave a white residue which can be cleaned with the methods above. Only use a plastic shovel for snow removal. Metal or plastic shovels with a metal leading edge are NOT recommended to clear snow from the surface as they may damage the deck surface.
8	CLEANERS	AVOID using cleaners containing heavily discoloration chemicals and cleaners that contain organic solvents as they will damage the decking surface. Always test the cleaner on a scrap piece as cleaning products may discolor the decking surface. Products like DeckMAX® Revitalizer should be avoided as they can etch the cap of deck board and void the warranty.
9	PRESSURE WASHER	Pressure washers are NOT recommended but use caution when using one. The improper use of a pressure washer could damage the decking surface and will void warranty coverage. If using a pressure washer, the recommended maximum washing pressure is 1400 PSI.
10	OTHERS	Exercise caution when using PVC glue or similar products as they may discolor and permanently damage the deck

H. OTHER FACTORS TO CONSIDER

1. **Low E Glass Considerations:** If Low E (Low Emissivity) glass windows or doors are used around the deck, its reflection of sunlight may create additional, excessive heat that could damage your deck. The damages may include but are not limited to melting, discoloration, excessive expansion and contraction or rapid weathering. A combination of contributing factors must be present before the effect occurs or causes damage to any nearby decking materials. This damaging effect can be prevented in many cases by installing the window screens supplied by the window manufacturer.
2. Greater heat retention may occur with darker colors, especially in areas of full exposure to the sun. This condition is due to the nature of the material in relation to environmental exposure, and is not covered by any express or implied warranty.
3. **Recycle and Disposal:** Inteplast Deck are produced from a cellular foaming process and is 100% recyclable. The resin identification code (RIC) of polyvinyl chloride (PVC) according to the Society of Plastics Industry (SPI). If recycling is not possible, disposal to landfills or incineration in accordance with governmental laws and regulations is considered safe.

I. WARRANTY

1. Inteplast Deck is covered by a Lifetime Limited Warranty for residential applications and 20-Year Limited Warranty for commercial applications. Inteplast Deck is also covered by a 25-Year Fade & Stain Warranty for residential applications. For more info and a complete copy of the warranties, visit InteplastBuild.com.
2. **NOTE:** Inteplast claims no liability or responsibility for the improper installation of our deck product. The purchaser is solely responsible for compliance with applicable local codes as to the deck's intended use. We recommend that all designs be reviewed by a licensed architect, engineer or local building official before installation. Failure to comply with our DECK Installation Guideline will result in voiding the warranty.



(RESIDENTIAL)



(COMMERCIAL)



(RESIDENTIAL)

Inteplast® PVC Porch Installation and Care Guide

Local building codes and principles should always be adhered to when installing Inteplast Porch. All installations are unique and the sole responsibility of the installer to determine specific requirements for each application. Inteplast Building Products claims no liability or responsibility for the improper installation of this product. We recommends that all designs be reviewed by a licensed engineer, architect, and/or local building inspector before installation.

A. PORCH PREPARATION

1. See page 2 Deck section A for Storage and Handling and exercise similar precautions
2. Inteplast PVC Porch is not meant to be used for structural applications, supports or beams.

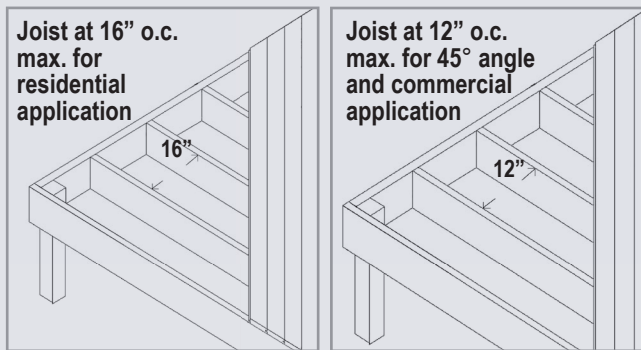


FIG.#1 Joist Spacing

3. Inteplast PVC Porch board should never be used for a supports or a component of railing systems.

4. When installing Porch in a non-covered environment, the Porch structure should be slightly sloped to help allow for proper drainage. Joists should be sloped 3/8" per foot away from the house to facilitate drainage.

5. Space joists at 16" on center maximum when installing Porch perpendicular to joists. If installing Porch plank at 45° angle and commercial application, space joists at 12" on center. Adequate ventilation below the Porch is required for outdoor structure to prevent heat and moisture build-up.

6. If using an existing support structure, check that all joists are level, structurally sound, with no nails or screws protruding.

7. Ensure evenness of joists that would cause an uneven appearance in the finished floor, as Porch will conform to the surface. Shim flooring or plane joists where necessary.

B. TOOLS AND FASTENERS

Inteplast Porch can be installed using the same tools for wood porch products.

- Miter saw & miter box- fine-toothed, carbide tipped finish trim blade works well for cutting.
- Power drill • Pneumatic floor nailer
- Carpenter Square • Level • Tape Measure
- Spacing Tools • Work Gloves • Safety Glasses

1. All fasteners should be of high quality stainless steel (typical 305 grade, 316 grade stainless for coastal salt water area application)

2. Minimum screw size - #7 stainless steel trim head screws with # 17 drill point. Pre-drilling is not necessary.

3. When using a pneumatic flooring nailer, using 2" stainless steel barbed/serrated "T" nails or "L" cleats is suggested.

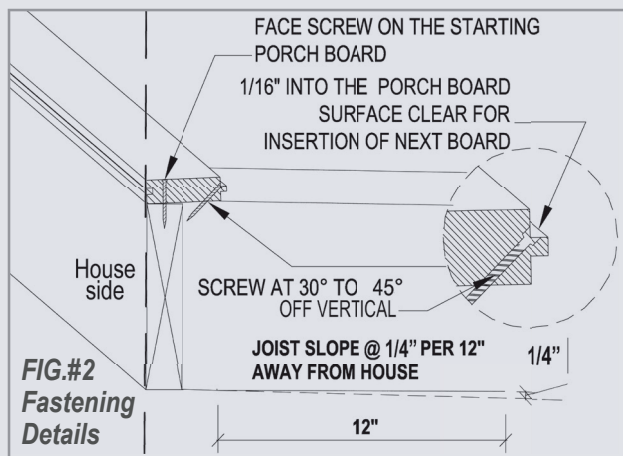
4. For best results, use 1/4" bead of construction adhesive on each joist to minimize expansion and contraction.

C. EXPANSION & CONTRACTION

1. Proper fastening will minimize changes due to expansion and contraction. Install the boards together tightly at splices or miters. All butt joints must be fastened to a solid joist.
2. Fasten ends and joints of Porch boards to joist using a fastener, which is positioned within 1/2" of each board end or joint.
3. The Porch must be installed above 32°F.
4. Stagger splices and miters across the Porch surface so that all splices and miters do not break on the same joist.
5. Provide enough clearance for ventilation and airflow below the Porch will minimize expansion and contraction. Failure to do so will cause warping and deformation of the boards and void the warranty.

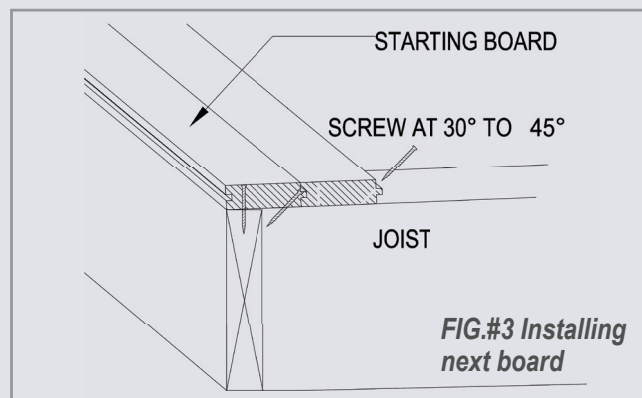
D. INSTALLATION

1. Keep the Porch boards minimum 1/4" away from the wall of the house to allow any movement in the framing caused by moisture change or movement in the flooring related to temperature change.
2. Install the starting board with the grooved edge against the house if the boards run parallel to the house or on the outside edge of the Porch if the boards run perpendicular to the house.



3. Install the starting board by first installing the fasteners down through the board at the edge near the groove.
4. Then drive a fastener through the tongue at 30° to 45° off vertical into each respective joist. Fasteners should be driven approximately 1/16" into the surface above the tongue for not to interfere with the insertion of next board. Cut a short piece of Porch scrap and butt up to the

- installed piece to check for clearance.
5. Install the next board with groove edge facing the installed board. Board should be tight. Apply light pressure, if necessary, to ensure the board is engaged completely. Fasten the board through the tongue at each joist.
6. Adjust the top gap between the boards to desired look, and be sure to maintain that consistently throughout the installation.



7. Continue to add boards until the outer edge of the Porch is reached. The last board may require to ripping tongue off or cutting to the width to fit the final dimensions before installing.
8. Board should be installed as soon as possible after cutting to avoid any temperature changes. End butts and miters should be kept tight.
9. Edge of Porch should not overhang finished framing more than 1 inch.

E. PORCH PERIMETER

There are many options available to finish the perimeter of Porch. Two are listed below:

Option 1: Rout outside edge with a carbide-tipped router bit. Cover the exposed edge of Porch with Inteplast FASCIA or Inteplast TRIM.

Option 2: Seat last Porch board into fasteners overhanging rim joist. Secure Porch board with 2-1/4" (6.4 cm) screws. Position Inteplast FASCIA board below overhanging Porch.

F. OTHER FACTORS TO CONSIDER

1. Low E Glass Considerations: see Inteplast Deck Installation Guide H-1 on page 7.
2. Rooftop application not recommend, since the sleeper joist may not provide enough air flow below the Porch boards and excessive heat build up may cause deformation of the Porch.
3. If porch board is installed while not under roof, framing should be adjusted to 12"O.C. and construction adhesive should be placed on joists.
4. Inteplast Porch is not intended to be waterproof and should not be used in any waterproof application.
5. All porch surfaces absorb and retain heat from the sun, especially if there is no overhead roof and with full sun exposure. Greater heat retention may occur with darker colors. This condition is due to the nature of the material in relation to environmental exposure, and is not covered by any express or implied warranty.

G. CARE AND CLEANING

Similar to Inteplast Deck, see Inteplast Deck Installation Guide section G on page 6.

H. INTEPLAST PORCH WARRANTY

1. Inteplast Porch offer the same warranty coverage as Inteplast Deck, please see section I on page 7 for details.
2. Failure to comply with Inteplast Porch Installation Guideline will result in voiding the warranty.



(RESIDENTIAL)



(RESIDENTIAL)



Contact

TEL: 1-800-521-4259
buildingproducts@intoplast.com
www.intoplastbuild.com