



INTEPLAST GROUP[®]
Building Products

Inteplast[®] Reversible Beaded PVC Planking Installation and Care Guide



Thank you for choosing Inteplast product to enhance your space!

Read this before you start!

Local applicable building codes should be followed and the product should be installed with the same building principles used to install wood or composite planking. We recommend that a licensed architect, engineer, or local building official review designs before building. Inteplast PVC Planking is not intended for use as columns, support posts, or beams and must be supported

by a code-compliant substructure. Inteplast Building Products accepts no liability or responsibility for the improper installation of this product. Inteplast PVC Planking may not be suitable for every application and it is the sole responsibility of the installer to determine if Inteplast PVC Planking is fit for the intended use and project.

1. Planning (*Note: Step 1~4 for 34" PVC Planking Kit)

Inteplast Beaded PVC Planking is reversible with different bead to bead widths for project preference. It can be installed with Inteplast Base, Chair Rail, or other similar mouldings that are sold separately.

For easy installation, use construction adhesive. For better holding strength, use 1" finishing nails. Carbide tipped blade is recommend if using a circular saw.

2. Tools



Level / Tape Measure / Square Angle / Adhesive Gun /Saw / Hammer / Nail / Nail Driver

3. Install Beaded PVC Planking and Base

- Start at a corner and work your way across.
- Keep the grooved edge facing the starting corner and the tongue edge in your working direction.
- Apply adhesive in a zigzag pattern to the back of each piece before installing.
- Insert each plank into the top groove of the Inteplast Base or on top of other base options.
- Nail through the tongue into the wall of each piece.
- Continue gluing and nailing each piece across the wall, making sure all planks are applied to the wall evenly and are level.
- The last plank may require trimming to fit into the corner.

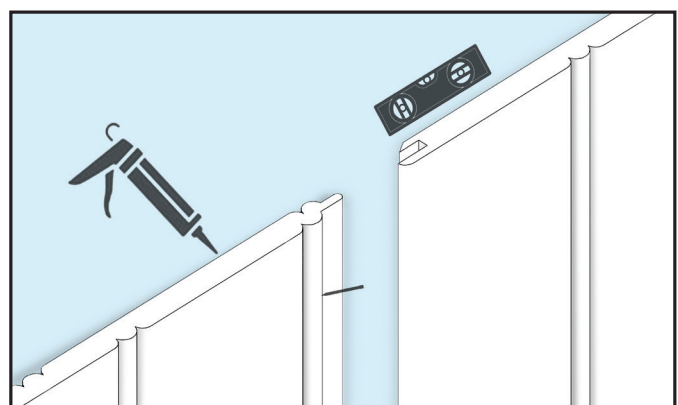
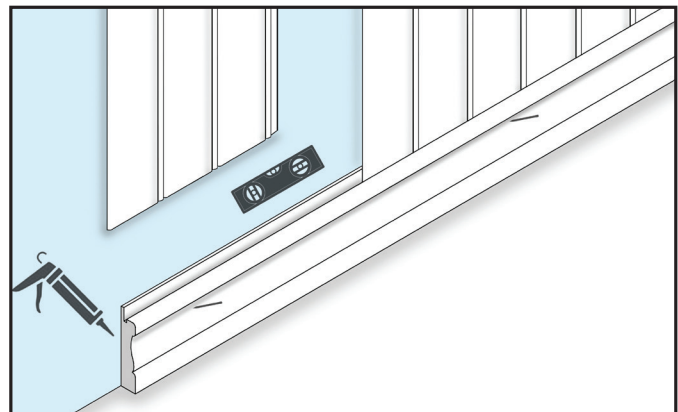


Diagram legend:

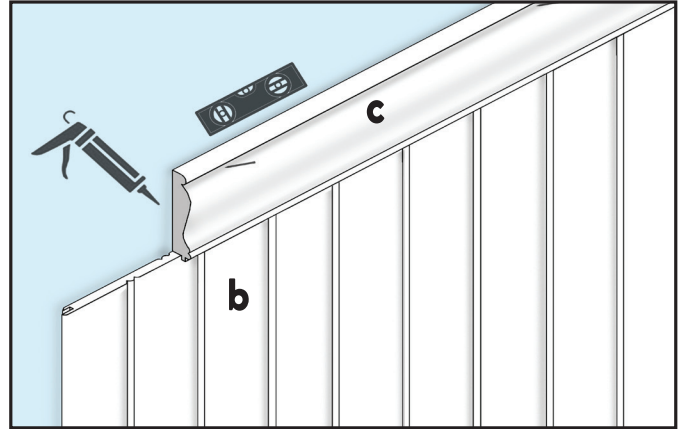
a:Base (Inteplast PVC Moulding #1623)

b:Planking (Inteplast PVC Moulding #1004)

c:Chair Rail (Inteplast PVC Moulding #1390)

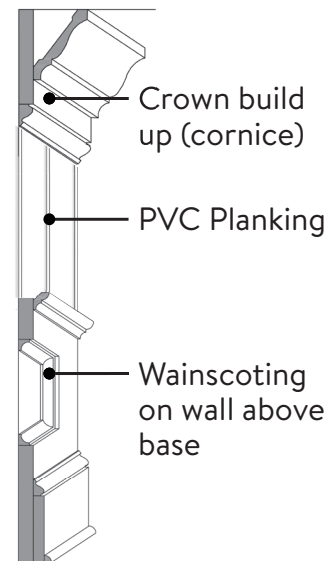
4. Add Chair Rail

- Repeat for each wall.
- Install Inteplast Chair Rail on top of the planks. Inteplast Chair Rail is pre-grooved at the bottom and fits over the Planking.
- Apply finishing nails for better holding strength.
- Fill in any gaps with caulk or wood putty.



5. Wall Application for 8' PVC Planking

- For full wall application, if the ceiling height of the room is higher than 8'-6", will require larger crown moulding and higher base to cover the top and bottom of the planking when planning. Combination of crown and other moldings can create a cornice or frieze band at top or wainscoting at below of the wall to fill up the wall space beyond 8' (see right diagram)
- Install base along the wall first.
- Follow the same installation principles of the 34" PVC Planking kit. (Step 1~4)
- Place the PVC Planking over base board (Inteplast PVC moulding #1623) or behind base moulding.
- Trim edges of starting side and ending side of the PVC Planking as needed per wall or field condition as needed.
- Apply glue on back and finished nails into the groove along the installation process as needed.



- Apply crown moulding or other build up over the top of the Planking.
- Apply outside corner moulding when Planking meet on the outside corner to cover exposed edges as needed.

6. Maintenance

- Regular cleaning with a damp cloth will leave Planking and Mouldings looking just like new.
- If the product has been painted, make sure to follow the paint manufacturer's instructions for maintaining the finish.

- For other applications or more detailed installation guidelines, visit our website at InteplastBuild.com

Need Help?

Access Resources 24/7

Product information and a variety of resources can be found at www.inteplastbuild.com

Call Customer Service

Our customer service team is here to help you with your questions at 1-800-521-4259